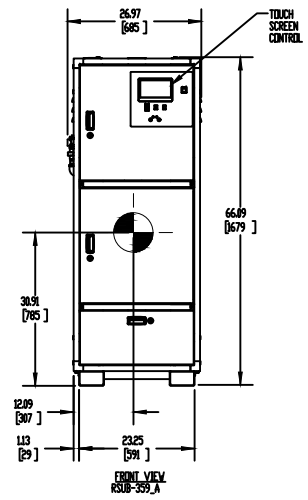
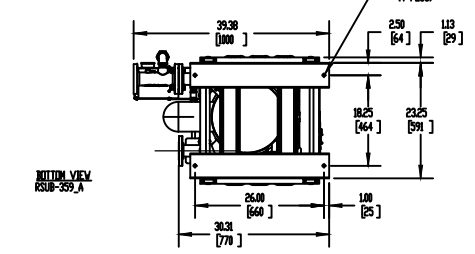
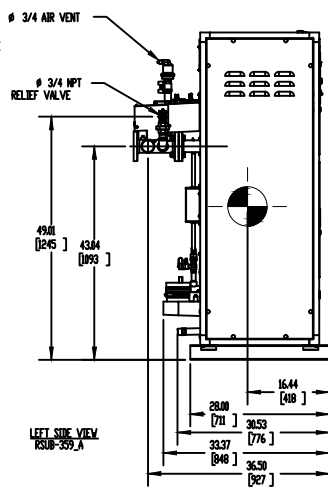
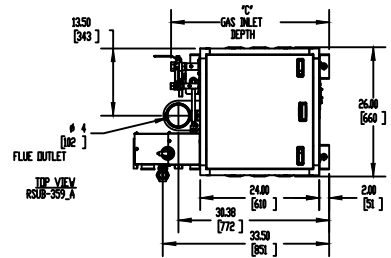


GAS OPTION	"A"	"B"	"C"
HS	1 NPT	3/2"	3/8"
LP	3/4 NPT	3/2"	3/8"



- NOTES:
1. -⊕- SYMBOL INDICATES CENTER OF GRAVITY.
 2. DIMENSIONS ARE NOMINAL AND SUBJECT TO MANUFACTURING VARIATION AND SHOULD NOT BE USED FOR "ROUGHING IN".
 3. ALL DIMENSIONS ARE INCHES (mm).